



## Electric Counterbalanced Trucks 7,500 to 11,000 lb. Capacity

E35 P/600 H, E40 P/600 H, E40 P/600 HL,  
E45 P/600 H, E45 P/600 HL, E50 P HL, E50 P/600 HL  
SERIES 388

### Safety

Excellent visibility of load and through the mast is a key element of forklift safety. This is accomplished via slim (narrow and deep) mast rails, made possible by the unique Linde top mounted tilt cylinders. This feature also allows for excellent mast stability due to a higher mounting point than conventional designs. The automatic brake system ensures immediate stopping anytime the driver leaves the seat.

### Performance

Powerful dual drive motors allow fast travel speeds, but even more important, fast acceleration. The operational performance combined with unmatched lifting speeds; enable this truck series to operate in place of engine powered units. This unique drive motor arrangement lets the trucks negotiate railroad crossings, curbs, ramps or other obstacles with ease. High performance auxiliary hydraulic circuits make it possible to achieve peak productivity with even the most demanding attachments.

### Operator Comfort

Consistent high levels of performance and efficiency, for extended periods of time, are only possible if the operator feels at ease with the machine. The ergonomic layout of all controls, adjustability of armrest and seat, Linde Load Control system and a "floating" cab provide the best possible operating environment and intuitive interface between truck and operator.

## Linde Material Handling



### Reliability

Reliability and durability are a Linde design objective. All components and assemblies are tested to meet rigorous longevity standards. During truck operation, dual electronic control circuits monitor all systems to ensure flawless performance. Sealed component housings and enclosures provide additional protection against the ingress of contaminants, abrasives and moisture.

### Productivity

Effective and efficient, the unique Linde energy management system ensures optimal performance and unmatched energy utilization. Uptime is achieved through the use of highly reliable components, a superb level of comfort for the driver and robust truck design features.

# Standard and optional equipment

## Standard Equipment

Hydrostatic power steering

Linde dual pedal travel control

Individual hydraulic control levers integrated into the adjustable armrest

80 Volt electrical system

2 x 12 HP, high performance, maintenance free, AC drive motors

29.5 HP, high performance, maintenance free, AC hydraulic motor

Display of battery operating time in minutes

Automatic parking brake

Linde dual motor drive

Proportional reduction of travel speed when cornering (Linde Drive Assistant)

Full suspension, adjustable, PVC operator's seat with armrest

Comprehensive digital instrument display

Generous storage space for writing materials and miscellaneous items

SE tires

## Optional Equipment

Single pedal travel control

Additional simple and triple; masts and carriages

Hang-on sideshifter

Various standard and special fork sizes

Integrated sideshifter

Additional hydraulic functions

Tilt memory

Variety of operator cabs

Tire options; SE, radial

Cab heater, defroster

Additional lighting

Backup alarm

Mirrors

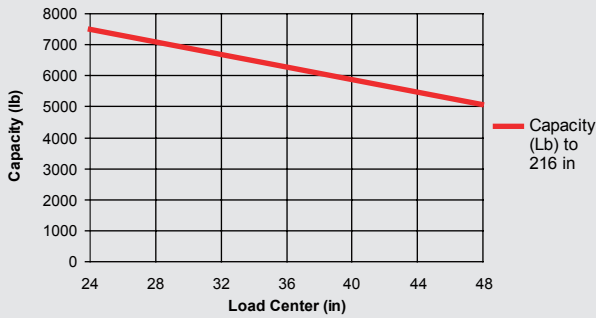
Custom speed settings

Other options available on request

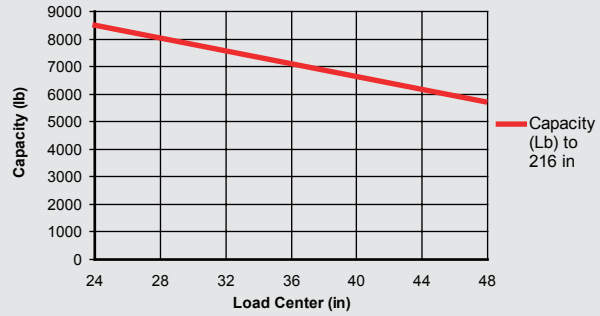
# Downrating Charts\*

Reference: capacities based on SE tires with simple mast, carriage, and 42" forks only.

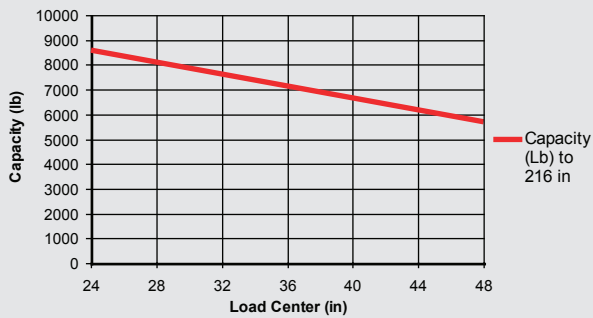
E35 P / 600 H (388) Extended Load Center



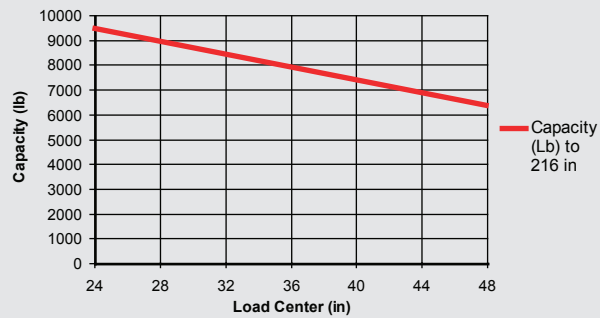
E40 P / 600 H (388) Extended Load Center



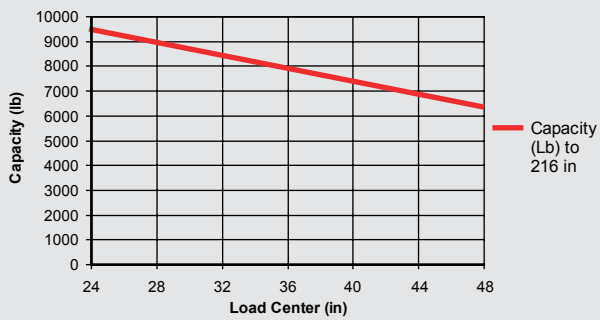
E40 P / 600 HL (388) Extended Load Center



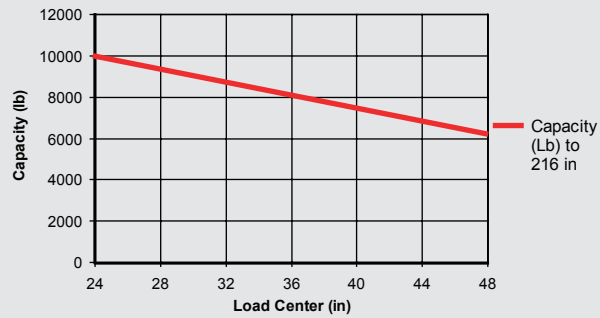
E45 P / 600 H (388) Extended Load Center



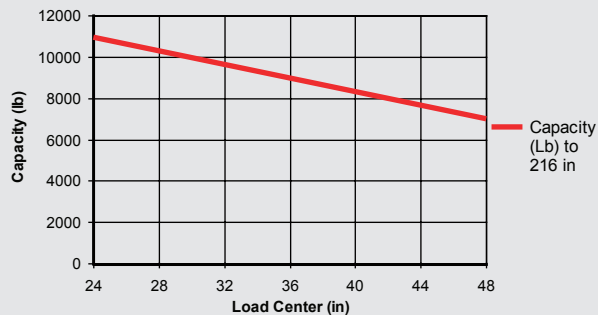
E45 P / 600 HL (388) Extended Load Center



E50 P HL (388) Extended Load Center



E50 P/600 HL (388) Extended Load Center



\* For quick reference only, contact factory for detailed ratings.

\* Capacity ratings will be affected by changing forks, load center, and/or drive tires.

# Technical data

December 2012 SERIES 388 (E35P/600H)

Characteristics	1.1	Manufacturer				Linde	
	1.2	Model designation				E35P / 600 H	
	1.3	Power unit				Battery	
	1.4	Operation				Seated	
	1.5	Load capacity	Q	lb.	kg	7500	3500
	1.6	Load center	c	in.	mm	24	600
	1.8	Axle center to fork face	x	in.	mm	21.2	537
	1.9	Wheelbase	y	in.	mm	75.0	1905
	Weight	2.1	Service weight		lb.	kg	15554 <sup>2</sup>
2.2		Axle load with load, front/rear		lb.	kg	20897 / 2372 <sup>2</sup>	9479 / 1076 <sup>2</sup>
2.3		Axle load without load, front/rear		lb.	kg	8575 / 6978 <sup>2</sup>	3890 / 3165 <sup>2</sup>
Wheels & Tires	3.1	Tires: rubber, SE, pneumatic, polyurethane			type	SE	
	3.2	Tire size: front			in.	28 x 12.5-15 - 5C15	
	3.3	Tire size: rear			in.	23 x 9-10 - 5C15	
	3.5	Wheels, number front/rear (x = driven)			x = driven	2x / 2	
	3.6	Track width, front	b10	in.	mm	45.3	1149
	3.7	Track width, rear	b11	in.	mm	36.7	932
	Dimensions	4.1	Mast/fork carriage tilt, forward/back	a/b		deg.	5.0 / 8.0 <sup>4</sup>
4.2		Height of mast, lowered	h1	in.	mm	See mast table	
4.3		Free lift	h2	in.	mm	See mast table	
4.4		Lift	h3	in.	mm	See mast table	
4.5		Height of mast, extended (includes LBR)	h4	in.	mm	s + h3 + 48" (LBR)	
4.7		Height of overhead guard (cabin)	h6	in.	mm	92.9	2360
4.8		Height of seat/stand-on platform	h7	in.	mm	48.4	1230
4.12		Height of tow coupling	h10	in.	mm	28.4	722
4.19		Overall length with 42" forks	l1	in.	mm	148.8	3780
4.20		Length to fork face	l2	in.	mm	106.8	2712
4.21		Overall width	b1/b2	in.	mm	56.7 / 50.3	1440 / 1278
4.22		Fork dimensions	s/e/l		in.	2 x 5 x 42	
4.23		Fork carriage to ISO 2328, class/type A, B			class	Class 3A	
4.24		Width of fork carriage	b3	in.	mm	53.2	1350
4.31		Ground clearance, below mast	m1	in.	mm	5.9	150
4.32		Ground clearance, center of wheelbase	m2	in.	mm	6.3	160
4.34.0		Aisle width with pallet, including (48") forks	Ast	in.	mm	164.1 <sup>1</sup>	4167 <sup>1</sup>
4.34.1	Aisle width	Ast	in.	mm	108.2 <sup>3</sup>	2747 <sup>3</sup>	
4.35	Turning radius	Wa	in.	mm	87.1	2210	
4.36	Minimum pivoting point distance	b13	in.	mm	22.9	580	
Performance	5.1	Travel speed, with/without load		mph	km/h	12.5 / 12.5	20 / 20
	5.2	Lifting speed, with/without load		f/m	m/s	88 / 110	0.45 / 0.56
	5.3	Lowering speed, with/without load		f/m	m/s	108 / 110	0.55 / 0.55
	5.5	Tractive force, with/without load		lbf	N	1034 / 1034	4600 / 4600
	5.6	Maximum tractive force, with/without load		lbf	N	4271 / 4271	19000 / 19000
	5.8	Maximum climbing ability, with/without load			%	19.0 / 29.5	
	5.10	Service brake				Hydraulic / Mechanical	
Power	6.1	Drive motor, 60 minute rating		hp	kW	2x 15.9	2x 11.9
	6.2	Lift motor rating at S3 15%		hp	kW	33.5	25
	6.3	Battery compartment dimensions, l x w x h			in.	40.8 x 33.8 x 31.8	
	6.4	Battery voltage			V	80	
	6.5	Battery weight (min - max)		lb.	kg	3901 / 4312	1769 / 1956
Others	8.1	Type of drive control				Digital / Stepless	
	8.2	Operating pressure for attachments		psi	bar	2465	170
	8.3	Oil flow for attachments		gpm	l/min.	14.5	55

1) Including 48 inch (1220 mm) forks and 8 inch (200 mm) operating clearance.

2) All weights are with average battery weight between min. and max.

3) Add length of load and operational clearance

4) 5f / 6b with triple mast.

December 2012 SERIES 388 (E40 P/600 H, E40 P/600 HL, and E45 P/600 H)

Linde		Linde		Linde		1.1
E40 P / 600 H		E40 P / 600 HL		E45 / 600 H		1.2
Battery		Battery		Battery		1.3
Seated		Seated		Seated		1.4
8500	4000	8500	4000	9500	4500	1.5
24	600	24	600	24	600	1.6
21.5	547	21.5	547	21.5	547	1.8
75.0	1905	80.7	2050	75.0	1905	1.9
16611 <sup>2</sup>	7535 <sup>2</sup>	16446 <sup>2</sup>	7460 <sup>2</sup>	16975 <sup>2</sup>	7700 <sup>2</sup>	2.1
22846 / 2583 <sup>2</sup>	10363 / 1172 <sup>2</sup>	22835 / 2429 <sup>2</sup>	10358 / 1102 <sup>2</sup>	24623 / 2272 <sup>2</sup>	11169 / 1031 <sup>2</sup>	2.2
8719 / 7892 <sup>2</sup>	3955 / 3580 <sup>2</sup>	9083 / 7363 <sup>2</sup>	4120 / 3340 <sup>2</sup>	8730 / 8245 <sup>2</sup>	3960 / 3740 <sup>2</sup>	2.3
SE		SE		SE		3.1
28 x 12.5-15 - SC15		28 x 12.5-15 - SC15		28 x 12.5-15 - SC15		3.2
23 x 9-10 - SC15		23 x 9-10 - SC15		23 x 9-10 - SC15		3.3
2x / 2		2x / 2		2x / 2		3.5
45.3	1149	45.3	1149	45.3	1149	3.6
36.7	932	36.7	932	36.7	932	3.7
5.0 / 8.0 <sup>4</sup>		5.0 / 8.0 <sup>4</sup>		5.0 / 8.0 <sup>4</sup>		4.1
See mast table		See mast table		See mast table		4.2
See mast table		See mast table		See mast table		4.3
See mast table		See mast table		See mast table		4.4
s + h3 + 48" (LBR)		s + h3 + 48" (LBR)		s + h3 + 48" (LBR)		4.5
92.9	2360	92.9	2360	92.9	2360	4.7
48.4	1230	48.4	1230	48.4	1230	4.8
28.4	722	28.4	722	28.4	722	4.12
149.1	3789	154.9	3934	147.2	3789	4.19
107.2	2722	112.9	2867	107.2	2722	4.20
56.7 / 50.3	1440 / 1278	56.7 / 50.3	1440 / 1278	56.7 / 50.3	1440 / 1278	4.21
2 x 5 x 42		2 x 5 x 42		2 x 5 x 42		4.22
Class 3A		Class 3A		Class 3A		4.23
53.2	1350	53.2	1350	53.2	1350	4.24
5.9	150	5.9	150	5.9	150	4.31
6.3	160	6.3	160	6.3	160	4.32
170.2 <sup>1</sup>	4322 <sup>1</sup>	175.9 <sup>1</sup>	4467 <sup>1</sup>	170.2 <sup>1</sup>	4322 <sup>1</sup>	4.34.0
114.3 <sup>3</sup>	2902 <sup>3</sup>	120.0 <sup>3</sup>	3047 <sup>3</sup>	114.3 <sup>3</sup>	2902 <sup>3</sup>	4.34.1
87.1	2210	93.0	2361	88.1	2236	4.35
22.9	580	22.9	580	22.9	580	4.36
12.5 / 12.5	20 / 20	12.5 / 12.5	20 / 20	12.5 / 12.5	20 / 20	5.1
82 / 110	0.42 / 0.56	82 / 110	0.42 / 0.56	78 / 110	0.39 / 0.56	5.2
108 / 108	0.55 / 0.55	108 / 108	0.55 / 0.55	108 / 108	0.55 / 0.55	5.3
1034 / 1034	4600 / 4600	1034 / 1034	4600 / 4600	1034 / 1034	4600 / 4600	5.5
4271 / 4271	19000 / 19000	4271 / 4271	19000 / 19000	4271 / 4271	19000 / 19000	5.6
17.3 / 27.4		17.5 / 27.7		16.0 / 25.9		5.8
Hydraulic / Mechanical		Hydraulic / Mechanical		Hydraulic / Mechanical		5.10
2x 15.9	2x 11.9	2x 15.9	2x 11.9	2x 15.9	2x 11.9	6.1
33.5	25	33.5	25	33.5	25	6.2
40.8 x 33.8 x 31.8		40.8 x 39.5 x 31.8		40.8 x 33.8 x 31.8		6.3
80		80		80		6.4
3901 / 4312	1769 / 1956	4561 / 5041	2069 / 2286	3901 / 4312	1769 / 1956	6.5
Digital / Stepless		Digital / Stepless		Digital / Stepless		8.1
2465	170	2465	170	2465	170	8.2
14.5	55	14.5	55	14.5	55	8.3

1) Including 48 inch (1220 mm) forks and 8 inch (200 mm) operating clearance.

2) All weights are with average battery weight between min. and max.

3) Add length of load and operational clearance

4) 5f / 6b with triple mast.

# Technical data

December 2012 SERIES 388 (E45 P/600 HL)

Characteristics	1.1	Manufacturer				Linde		
	1.2	Model designation				E45 / 600 HL		
	1.3	Power unit				Battery		
	1.4	Operation				Seated		
	1.5	Load capacity	Q	lb.	kg	9500	4500	
	1.6	Load center	c	in.	mm	24	600	
	1.8	Axle center to fork face	x	in.	mm	21.5	547	
	1.9	Wheelbase	y	in.	mm	80.7	2050	
	Weight	2.1	Service weight		lb.	kg	17438 <sup>2</sup>	7910 <sup>2</sup>
2.2		Axle load with load, front/rear		lb.	kg	24588 / 2771 <sup>2</sup>	11153 / 1257 <sup>2</sup>	
2.3		Axle load without load, front/rear		lb.	kg	9116 / 8322 <sup>2</sup>	4135 / 3775 <sup>2</sup>	
Wheels & Tires	3.1	Tires: rubber, SE, pneumatic, polyurethane			type	SE		
	3.2	Tire size: front			in.	28 x 12.5-15 - SC15		
	3.3	Tire size: rear			in.	23 x 9-10 - SC15		
	3.5	Wheels, number front/rear (x = driven)			x = driven	2x / 2		
	3.6	Track width, front	b10	in.	mm	45.3	1149	
	3.7	Track width, rear	b11	in.	mm	36.7	932	
	Dimensions	4.1	Mast/fork carriage tilt, forward/back	a/b		deg.	5.0 / 8.0 <sup>4</sup>	
4.2		Height of mast, lowered	h1	in.	mm	See mast table		
4.3		Free lift	h2	in.	mm	See mast table		
4.4		Lift	h3	in.	mm	See mast table		
4.5		Height of mast, extended (includes LBR)	h4	in.	mm	s + h3 + 48" (LBR)		
4.7		Height of overhead guard (cabin)	h6	in.	mm	92.9	2360	
4.8		Height of seat/stand-on platform	h7	in.	mm	48.4	1230	
4.12		Height of tow coupling	h10	in.	mm	28.4	722	
4.19		Overall length with 42" forks	l1	in.	mm	154.9	3934	
4.20		Length to fork face	l2	in.	mm	112.9	2867	
4.21		Overall width	b1/b2	in.	mm	56.7 / 50.3	1440 / 1278	
4.22		Fork dimensions	s/e/l		in.	2 x 5 x 42		
4.23		Fork carriage to ISO 2328, class/type A, B			class	Class 3A		
4.24		Width of fork carriage	b3	in.	mm	53.2	1350	
Performance		4.31	Ground clearance, below mast	m1	in.	mm	5.9	150
		4.32	Ground clearance, center of wheelbase	m2	in.	mm	6.3	160
	4.34.0	Aisle width with pallet, including (48") forks	Ast	in.	mm	175.2 <sup>1</sup>	4467 <sup>1</sup>	
	4.34.1	Aisle width	Ast	in.	mm	120.0 <sup>3</sup>	3047 <sup>3</sup>	
	4.35	Turning radius	Wa	in.	mm	98.4	2500	
	4.36	Minimum pivoting point distance	b13	in.	mm	22.9	580	
	5.1	Travel speed, with/without load			mph	km/h	12.5 / 12.5	20 / 20
	5.2	Lifting speed, with/without load			f/m	m/s	78 / 110	0.39 / 0.56
5.3	Lowering speed, with/without load			f/m	m/s	108 / 108	0.55 / 0.55	
5.5	Tractive force, with/without load			lbf	N	1034 / 1034	4600 / 4600	
5.6	Maximum tractive force, with/without load			lbf	N	4271 / 4271	19000 / 19000	
5.8	Maximum climbing ability, with/without load			%		16.1 / 26.0		
5.10	Service brake					Hydraulic / Mechanical		
Power	6.1	Drive motor, 60 minute rating		hp	kW	2x 15.9	2x 11.9	
	6.2	Lift motor rating at S3 15%		hp	kW	33.5	25	
	6.3	Battery compartment dimensions, l x w x h			in.	40.8 x 39.5 x 31.8		
	6.4	Battery voltage			V	80		
	6.5	Battery weight (min - max)		lb.	kg	4561 / 5041	2069 / 2286	
Others	8.1	Type of drive control				Digital / Stepless		
	8.2	Operating pressure for attachments		psi	bar	2465	170	
	8.3	Oil flow for attachments		gpm	l/min.	14.5	55	

1) Including 48 inch (1220 mm) forks and 8 inch (200 mm) operating clearance.

2) All weights are with average battery weight between min. and max.

3) Add length of load and operational clearance

4) 5f / 6b with triple mast.

December 2012 SERIES 388 (E50 P HL, E50 P/600 HL)

Linde		Linde		1.1
E50 P HL		E50 P/600 HL		1.2
Battery		Battery		1.3
Seated		Seated		1.4
10000	5000	11000	5000	1.5
24	500	24	600	1.6
21.5	547	21.5	548	1.8
80.7	2050	80.7	2050	1.9
17438 <sup>2</sup>	7910 <sup>2</sup>	18170 <sup>2</sup>	8242 <sup>2</sup>	2.1
25769 / 2691 <sup>2</sup>	11689 / 1221 <sup>2</sup>	26065 / 3106 <sup>2</sup>	11823 / 1409 <sup>2</sup>	2.2
9116 / 8322 <sup>2</sup>	4135 / 3775 <sup>2</sup>	8904 / 09266 <sup>2</sup>	4039 / 4203 <sup>2</sup>	2.3
SE		SE		3.1
28 x 12.5-15 - SC15		28 x 12.5-15 - SC15		3.2
23 x 9-10 - SC15		23 x 9-10 - SC15		3.3
2x / 2		2x / 2		3.5
45.3	1149	45.3	1149	3.6
36.7	932	36.7	932	3.7
5.0 / 8.0 <sup>4</sup>		5.0 / 9.5 <sup>4</sup>		4.1
See mast table		See mast table		4.2
See mast table		See mast table		4.3
See mast table		See mast table		4.4
s + h3 + 48" (LBR)		See mast table		4.5
92.9	2360	92.9	2360	4.7
48.4	1230	48.4	1230	4.8
28.4	722	Upon request		4.12
154.9	3934	154.9	3934	4.19
112.9	2867	112.9	2867	4.20
56.7 / 50.3	1440 / 1278	56.7 / 50.3	1440 / 1278	4.21
2 x 6 x 42		2 x 5 x 42		4.22
Class 3A		Class 3A		4.23
53.2	1350	53.2	1350	4.24
5.9	150	5.9	143	4.31
6.3	160	6.3	160	4.32
175.2 <sup>1</sup>	4467 <sup>1</sup>	175.2 <sup>1</sup>	4467 <sup>1</sup>	4.34.0
120.0 <sup>3</sup>	3047 <sup>3</sup>	120.0 <sup>3</sup>	3047 <sup>3</sup>	4.34.1
98.4	2500	98.4	2500	4.35
22.9	580	22.9	580	4.36
12.5 / 12.5	20 / 20	12.5 / 12.5	18 / 18	5.1
68 / 98	0.35 / 0.50	78 / 110	0.35 / 0.50	5.2
108 / 108	0.55 / 0.55	108 / 108	0.55 / 0.55	5.3
1034 / 1034	4600 / 4600	1034 / 1034	4600 / 4600	5.5
4271 / 4271	19000 / 19000	4271 / 4271	19000 / 19000	5.6
15.4 / 25.9		14.8 / 24.2		5.8
Hydraulic / Mechanical		Hydraulic / Mechanical		5.10
2x 15.9	2x 11.9	2x 15.9	2x 11.9	6.1
33.5	25	33.5	25	6.2
40.8 x 39.5 x 31.8		40.8 x 39.5 x 31.8		6.3
80		80		6.4
4561 / 5041	2069 / 2286	4561 / 5041	2069 / 2286	6.5
Digital / Stepless		Digital / Stepless		8.1
2465	170	2465	170	8.2
14.5	55	14.5	55	8.3

# Mast Capacity\*

## Standard Chassis

Model E35 P/600 H		42" forks	1516 Mast	SE tires 28 x 12.5-15-SC15				Tilt		
mast type	closed height inch <b>h1</b> mm	lift height inch <b>h3</b> mm	free lift inch <b>h2</b> mm	standard carriage		integral SS carriage		hang-on SS carriage	f° / b°	
				Lb.	Kg	Lb.	Kg	Lb.	Kg	
simple	92.9 / 2360	122.1 / 3100	0	7500 / 3500		7500 / 3500		7150 / 3243		5 / 8
simple	104.7 / 2660	145.7 / 3700	0	7500 / 3500		7500 / 3500		7150 / 3243		5 / 8
simple	112.6 / 2860	161.5 / 4100	0	7500 / 3500		7500 / 3500		7150 / 3243		5 / 8
triple	92.9 / 2360	184.1 / 4675	57.5 / 1460	7500 / 3500		7500 / 3500		7150 / 3243		5 / 6
triple	94.9 / 2410	187.6 / 4765	59.5 / 1510	7500 / 3500		7500 / 3500		7150 / 3243		5 / 6
triple	104.8 / 2660	217.2 / 5515	69.3 / 1760	7690 / 3496		7320 / 3328		6970 / 3161		5 / 6
triple	112.6 / 2860	236.9 / 6015	77.2 / 1960	7360 / 3346		6955 / 3162		6605 / 2995		5 / 6

Model E40 P/600 H		42" forks	1516 Mast	SE tires 28 x 12.5-15-SC15				Tilt		
mast type	closed height inch <b>h1</b> mm	lift height inch <b>h3</b> mm	free lift inch <b>h2</b> mm	standard carriage		integral SS carriage		hang-on SS carriage	f° / b°	
				Lb.	Kg	Lb.	Kg	Lb.	Kg	
simple	92.9 / 2360	122.1 / 3100	0	8500 / 4000		8500 / 4000		8150 / 3696		5 / 8
simple	104.7 / 2660	145.7 / 3700	0	8500 / 4000		8500 / 4000		8150 / 3696		5 / 8
simple	112.6 / 2860	161.5 / 4100	0	8500 / 4000		8500 / 4000		8150 / 3696		5 / 8
triple	92.9 / 2360	184.1 / 4675	57.5 / 1460	8500 / 4000		8500 / 4000		8150 / 3696		5 / 6
triple	94.9 / 2410	187.6 / 4765	59.5 / 1510	8500 / 4000		8500 / 4000		8150 / 3696		5 / 6
triple	104.8 / 2660	217.2 / 5515	69.3 / 1760	7980 / 3991		8195 / 3725		7845 / 3558		5 / 6
triple	112.6 / 2860	236.9 / 6015	77.2 / 1960	8120 / 3691		7610 / 3459		7260 / 3293		5 / 6

Model E45 P/600 H		42" forks	1516 Mast	SE tires 28 x 12.5-15-SC15				Tilt		
mast type	closed height inch <b>h1</b> mm	lift height inch <b>h3</b> mm	free lift inch <b>h2</b> mm	standard carriage		integral SS carriage		hang-on SS carriage	f° / b°	
				Lb.	Kg	Lb.	Kg	Lb.	Kg	
simple	92.9 / 2360	122.1 / 3100	0	9500 / 4500		9500 / 4500		9150 / 4150		5 / 8
simple	104.7 / 2660	145.7 / 3700	0	9500 / 4500		9500 / 4500		9150 / 4150		5 / 8
simple	112.6 / 2860	161.5 / 4100	0	9500 / 4500		9500 / 4500		9150 / 4150		5 / 8
triple	92.9 / 2360	184.1 / 4675	57.5 / 1460	9500 / 4500		9500 / 4500		9150 / 4150		5 / 6
triple	94.9 / 2410	187.6 / 4765	59.5 / 1510	9500 / 4500		9500 / 4500		9150 / 4150		5 / 6
triple	104.8 / 2660	217.2 / 5515	69.3 / 1760	9885 / 4494		9335 / 4243		8985 / 4075		5 / 6
triple	112.6 / 2860	236.9 / 6015	77.2 / 1960	9410 / 4278		8770 / 3978		8420 / 3820		5 / 6

\* For quick reference only, contact factory for detailed ratings.

\* Capacity ratings will be affected by changing forks, load center, and/or drive tires.



# Mast Capacity\*

## Long Chassis

Model E40 P/600 HL		42" forks	1516 Mast	SE tires 28 x 12.5-15-SC15				Tilt	
mast type	closed height inch <b>h1</b> mm	lift height inch <b>h3</b> mm	free lift inch <b>h2</b> mm	standard carriage Lb. Kg		integral SS carriage Lb. Kg		hang-on SS carriage Lb. Kg	f° / b°
simple	92.9 / 2360	122.1 / 3100	0	8500 / 4000		8500 / 4000		8150 / 3696	5 / 8
simple	104.7 / 2660	145.7 / 3700	0	8500 / 4000		8500 / 4000		8150 / 3696	5 / 8
simple	112.6 / 2860	161.5 / 4100	0	8500 / 4000		8500 / 4000		8150 / 3696	5 / 8
triple	92.9 / 2360	184.1 / 4675	57.5 / 1460	8500 / 4000		8500 / 4000		8150 / 3696	5 / 6
triple	94.9 / 2410	187.6 / 4765	59.5 / 1510	8500 / 4000		8500 / 4000		8150 / 3696	5 / 6
triple	104.8 / 2660	217.2 / 5515	69.3 / 1760	7980 / 3991		8195 / 3725		7845 / 3558	5 / 6
triple	112.6 / 2860	236.9 / 6015	77.2 / 1960	8120 / 3691		7610 / 3459		7260 / 3293	5 / 6

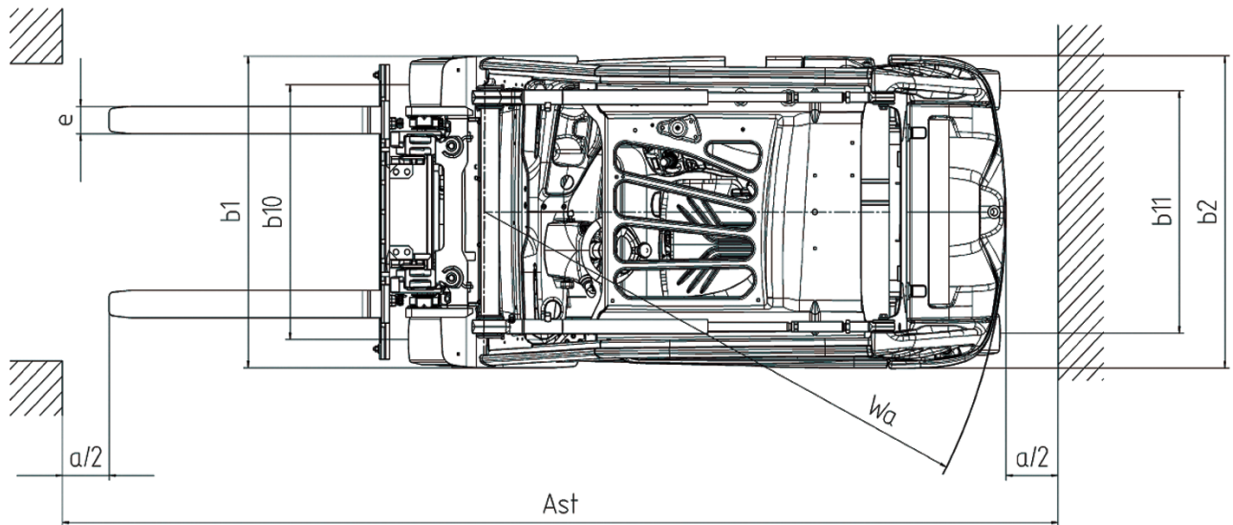
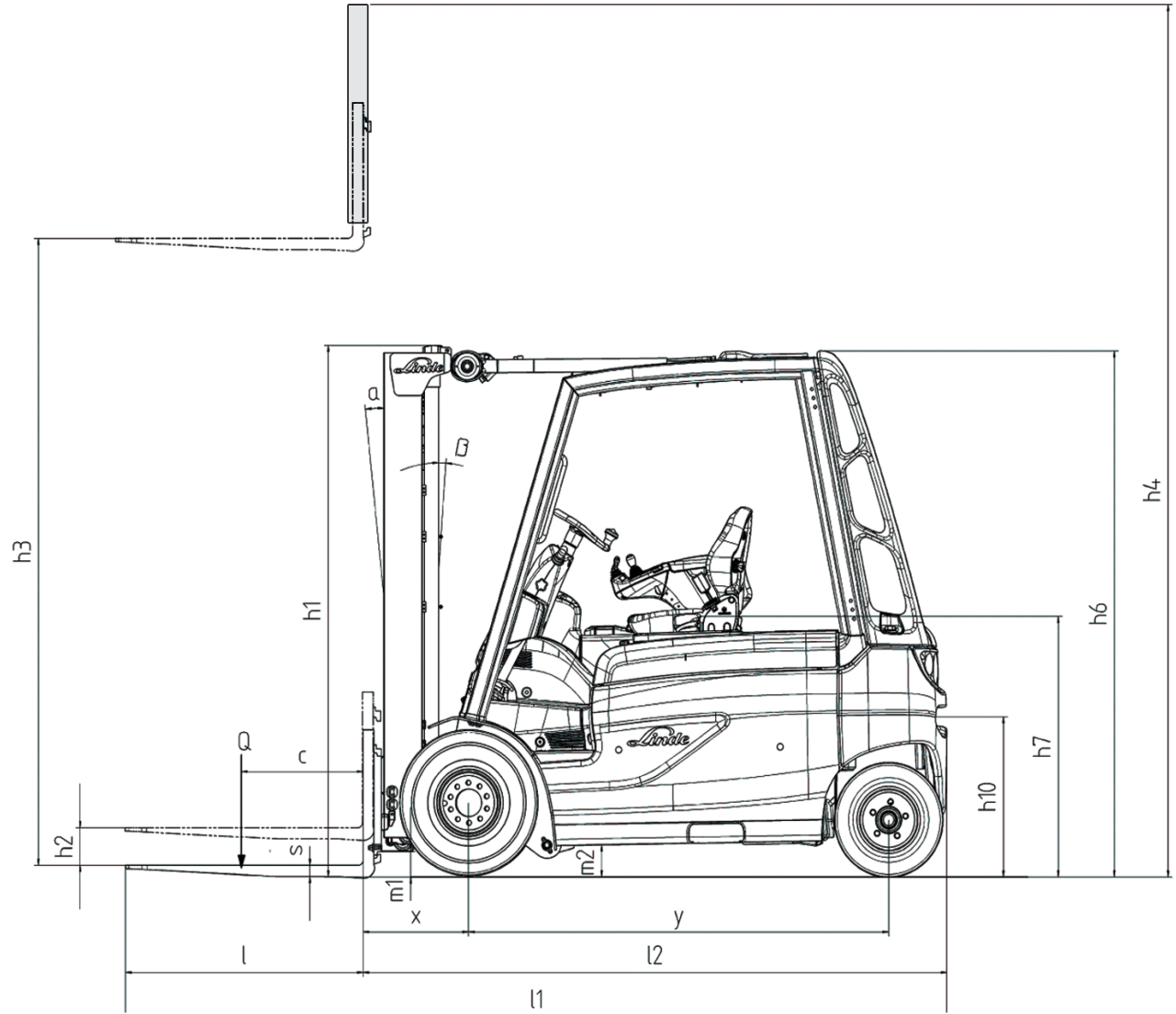
Model E45 P/600 HL		42" forks	1516 Mast	SE tires 28 x 12.5-15-SC15				Tilt	
mast type	closed height inch <b>h1</b> mm	lift height inch <b>h3</b> mm	free lift inch <b>h2</b> mm	standard carriage Lb. Kg		integral SS carriage Lb. Kg		hang-on SS carriage Lb. Kg	f° / b°
simple	92.9 / 2360	122.1 / 3100	0	9500 / 4500		9500 / 4500		9150 / 4150	5 / 8
simple	104.7 / 2660	145.7 / 3700	0	9500 / 4500		9500 / 4500		9150 / 4150	5 / 8
simple	112.6 / 2860	161.5 / 4100	0	9500 / 4500		9500 / 4500		9150 / 4150	5 / 8
triple	92.9 / 2360	184.1 / 4675	57.5 / 1460	9500 / 4500		9500 / 4500		9150 / 4150	5 / 6
triple	94.9 / 2410	187.6 / 4765	59.5 / 1510	9500 / 4500		9500 / 4500		9150 / 4150	5 / 6
triple	104.8 / 2660	217.2 / 5515	69.3 / 1760	9885 / 4494		9335 / 4243		8985 / 4075	5 / 6
triple	112.6 / 2860	236.9 / 6015	77.2 / 1960	9410 / 4278		8770 / 3978		8420 / 3820	5 / 6

Model E50 P HL		42" forks	1516 Mast	SE tires 28 x 12.5-15-SC15				Tilt	
mast type	closed height inch <b>h1</b> mm	lift height inch <b>h3</b> mm	free lift inch <b>h2</b> mm	standard carriage Lb. Kg		integral SS carriage Lb. Kg		hang-on SS carriage Lb. Kg	f° / b°
simple	92.9 / 2360	122.1 / 3100	0	10000 / 4590		10000 / 4590		9650 / 4375	5 / 8
simple	104.7 / 2660	145.7 / 3700	0	10000 / 4590		10000 / 4590		9650 / 4375	5 / 8
simple	112.6 / 2860	161.5 / 4100	0	10000 / 4590		10000 / 4590		9650 / 4375	5 / 8
triple	92.9 / 2360	184.1 / 4675	57.5 / 1460	10000 / 4590		10000 / 4590		9650 / 4375	5 / 6
triple	94.9 / 2410	187.6 / 4765	59.5 / 1510	10000 / 4590		10000 / 4590		9650 / 4375	5 / 6
triple	104.8 / 2660	217.2 / 5515	69.3 / 1760	10000 / 4580		9280 / 4210		8930 / 4050	5 / 6
triple	112.6 / 2860	236.9 / 6015	77.2 / 1960	9455 / 4290		8465 / 3840		8115 / 3680	5 / 6

Model E50 P/600 HL		42" forks	1516 Mast	SE tires 28 x 12.5-15-SC15				Tilt	
mast type	closed height inch <b>h1</b> mm	lift height inch <b>h3</b> mm	free lift inch <b>h2</b> mm	standard carriage Lb. Kg		integral SS carriage Lb. Kg		hang-on SS carriage Lb. Kg	f° / b°
simple	92.9 / 2359	114.2 / 2900	0	11000 / 5000		11000 / 5000		tba	5 / 8
simple	98.8 / 2509	126.0 / 3200	0	11000 / 5000		11000 / 5000		tba	5 / 8
simple	108.7 / 2759	145.7 / 3700	0	11000 / 5000		11000 / 5000		tba	5 / 8
triple	92.9 / 2359	172.3 / 4375	53.5 / 1360	11000 / 5000		11000 / 5000		tba	5 / 6
triple	96.9 / 2459	181.7 / 4615	57.5 / 1460	11000 / 5000		11000 / 5000		tba	5 / 6
triple	102.8 / 2609	199.5 / 5065	63.4 / 1610	11000 / 5000		10908 / 4948		tba	5 / 6
triple	110.7 / 2809	219.1 / 5565	71.2 / 1810	10937 / 4961		10026 / 4548		tba	5 / 6

\* For quick reference only, contact factory for detailed ratings.

\* Capacity ratings will be affected by changing forks, load center, and/or drive tires.





# Features

## Linde compact drive axle

- Dual motor drive design with high performance Linde AC technology
- Optimum energy efficiency
- Maintenance-free oil-bath service brake
- Automatic parking brake
- Electronic components located in sealed enclosure for complete protection



## Linde hydrostatic power steering

- Minimal physical demands on the operator
- Compact ergonomically designed steering wheel

## Linde dual pedal travel control

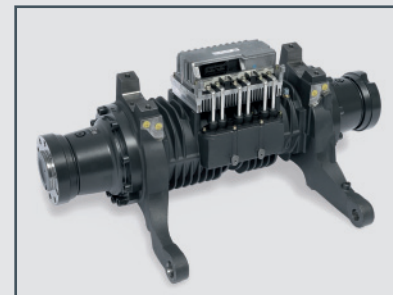
- Smooth, rapid directional change without repositioning the feet
- Short pedal stroke
- Increased productivity and performance

## Linde Load Control (LLC)

- Individual control levers integrated in an adjustable armrest
- Precise and effortless operation of all mast functions
- Safe and highly efficient load handling

## Linde dual motor drive

- Two powerful AC drive motors integrated in the front axle
- Smooth acceleration and variable torque characteristics
- Extremely quiet in operation



## Linde operator compartment

- Ergonomically designed for efficient, low fatigue operation
- Spacious operator compartment with generous foot room
- Cushioned comfort — floating cab

## Linde clearview mast design

- Top mounted tilt cylinders for smooth load control and stability
- Excellent view of load and surroundings
- High residual capacities in all applications

## Linde energy management

- Optimized energy consumption
- Accurate battery condition indicator
- Simple battery changing options



For more information on Linde material handling equipment, please contact:

KION North America Corporation  
2450 West 5th North Street, Summerville, SC 29483  
Phone: (843) 875-8000 Truck Sales Fax: (843) 875-8471  
E-mail: trucksales.na@kiongroup.com  
www.kion-na.com