



LPG Forklift Trucks
Capacity 3000, 3500, 4000 and 4500 lb
H16CT, H18CT, H20CT, and H20CT-600
SERIES 391

Linde Material Handling

The Linde logo is displayed in white cursive script on a red background.

Safety

Linde ProtectorFrame: The overhead guard and its supporting frame form a strong and completely enclosed protective zone providing optimum structural integrity and safety. The top mounted tilt cylinders provide seamless, smooth control of the tilt movements for excellent load stability in all operating conditions.

Performance

Low fuel consumption levels, low exhaust emissions, and impressive performance. Advanced engine and drive technology combined with the original Linde Load Control system enable the operator to use the truck's potential to maximise productivity. Comfortable and precise fingertip control of all hydraulic functions.

Comfort

Climb on board relaxed, finish the shift relaxed. Designed to the most advanced ergonomic standards. Spacious cab interior, adjustable armrest, suspension seat, and functional positioning of easy-actuation controls make for a stress-free working environment.

Reliability

Proven in tough sustained operations. Isolation of the cab from the mast, drive axle and chassis results in reduced shock and vibrations. Maintenance-free and elastic mounting of axles and tilt cylinders cuts downtime and operating costs.

Productivity

Effective and cost efficient: The "New Generation" Linde hydrostatic drive eliminates torque converter transmission, clutch, differential, and drum brakes. As a result, servicing costs are low, truck uptime is high and productivity is enhanced.

Standard and optional equipment

Standard equipment:

Linde twin drive pedals to control forward/reverse travel and braking

Linde Load Control integrated in armrest

Hydraulic-suspension comfort-class seat with extensive range of adjustments

Hydrostatic steering with on-demand power assist

Dual engine combustion air pre-cleaners

High-performance hydraulic filters

Comprehensive overhead digital instrumentation display (anti-glare surface)

Load back rest (LBR)

Plenty of storage space

Top-mounted tilt cylinders

Zero-maintenance mast and tilt cylinder mountings

Twin front work lamps

Regulated catalytic muffler (LP)

Parking brake

Tow pin

Anti restart ignition

LPG ultrasonic fuel level indicator

Options:

Single drive pedal with direction selector positioned on armrest

Integral sideshift

Auxiliary hydraulic circuits for all mast types

Overhead guard can be upgraded to full cabin with roof, front and rear screens and doors (also available with tinted glass)

Wiper-washers for front, rear and roof screens

Cab heater with integral pollen filter

Roof shade, clipboard, interior lighting

Truck lighting, work lamps

Audible reversing alarm, amber warning light

Paperwork clip board

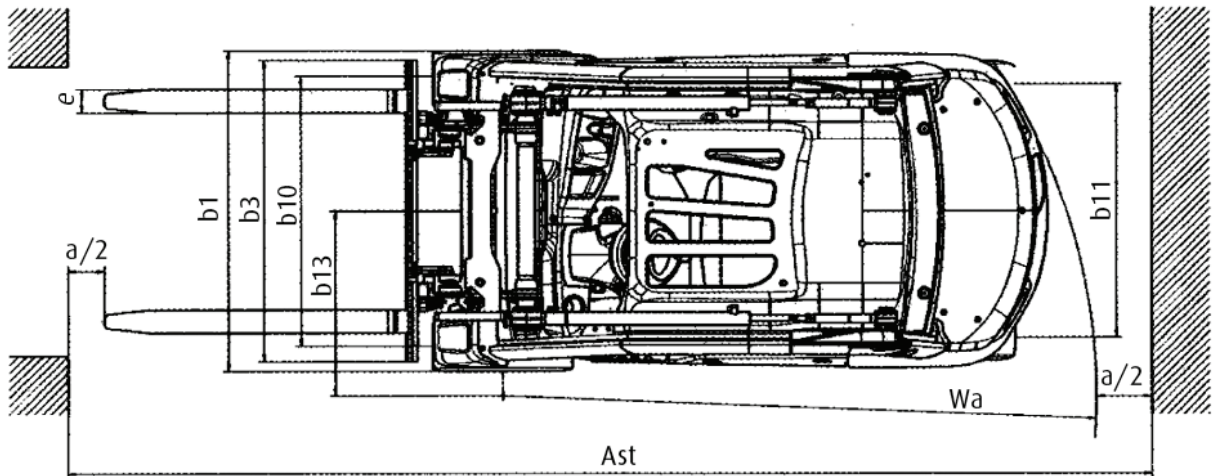
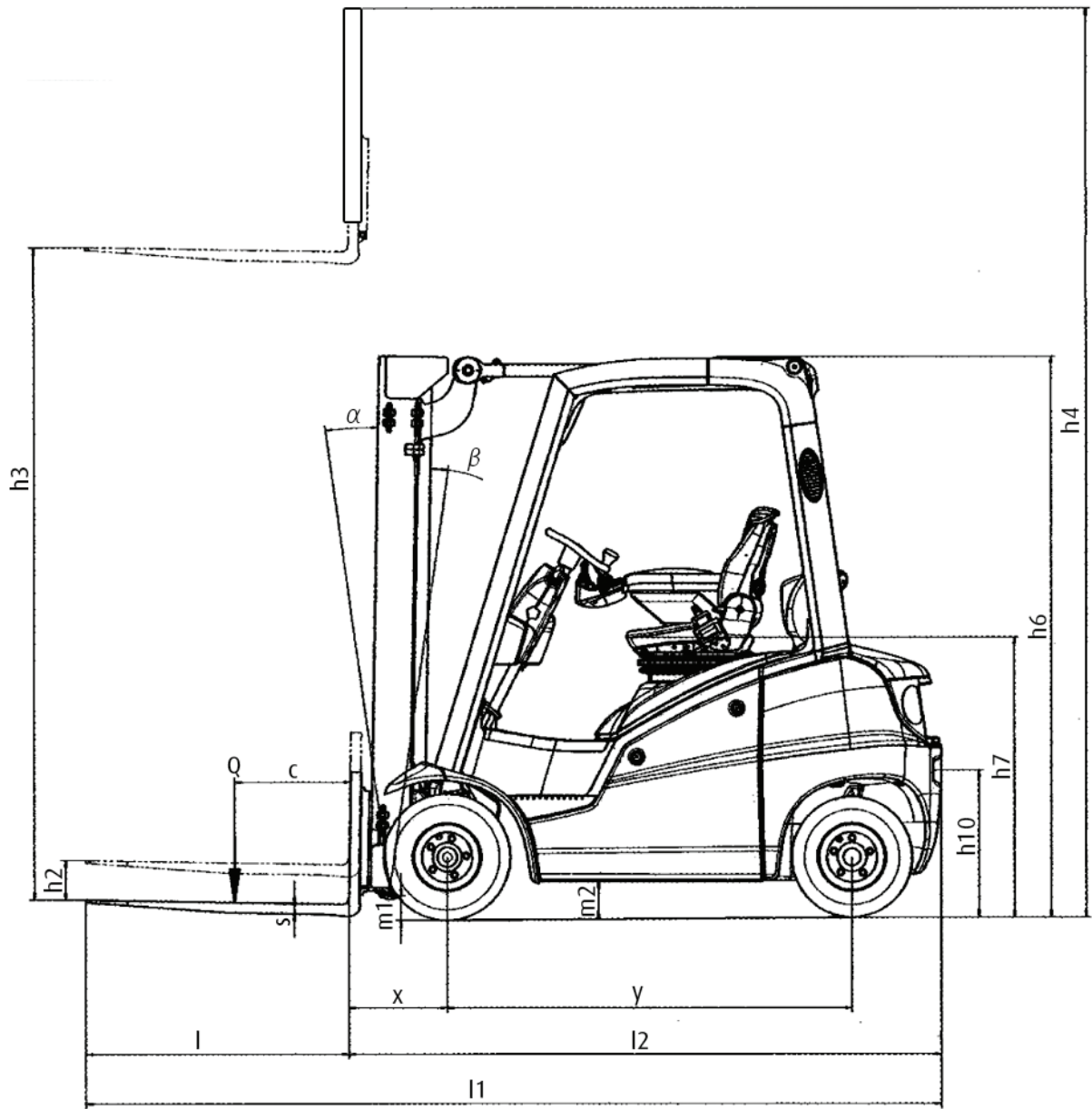
17° Pivoting operators seat

Electronic tilt angle limiting

Custom paint

Mirrors

Other options available on request



Characteristics	1.1	Manufacturer		
	1.2	Model designation		
	1.3	Power unit: battery, diesel, gasoline, LP gas, AC		
	1.4	Operation: manual, pedestrian, rider standing, rider seated, order picker		
	1.5	Load capacity	Q lb (t)	
	1.6	Load center	c in (mm)	
	1.8	Load distance (axle center to fork face)	x in (mm)	
	1.9	Wheelbase	y in (mm)	
	Weight	2.1	Service weight	lb (kg)
2.2		Axle loading with load, front/rear	lb (kg)	
2.3		Axle loading without load, front/rear	lb (kg)	
Wheels & Tires	3.1	Tire type - front/rear: C (cushion), SE (cushion super elastic), P (pneumatic)		
	3.2	Tire size: front	in (mm)	
	3.3	Tire size: rear	in (mm)	
	3.5	Wheels: number front/rear (x = driven)		
	3.6	Track width, front	b10 in (mm)	
	3.7	Track width, rear	b11 in (mm)	
	Dimensions	4.1	Mast/fork carriage tilt: forward/back	degrees
4.2		Height of mast lowered	h1 in (mm)	
4.3		Free lift	h2 in (mm)	
4.4		Lift	h3 in (mm)	
4.5		Height of mast extended	h4 in (mm)	
4.7		Height of overhead guard/cab	h6 in (mm)	
4.8		Height of seat	h7 in (mm)	
4.12		Height of tow coupling	h10 in (mm)	
4.19		Overall length	l1 in (mm)	
4.20		Length to fork face	l2 in (mm)	
4.21		Overall width	b1/b2 in (mm)	
4.22		Fork dimensions	s/e/l in	
4.23		Fork carriage: class		
4.24		Width of fork carriage	b3 in (mm)	
4.31		Ground clearance under mast, with load	m1 in (mm)	
4.32		Ground clearance, center of wheelbase	m2 in (mm)	
4.33	Aisle width	Ast in (mm)		
4.35	Turning radius	Wa in (mm)		
4.36	Minimum pivot point distance	b13 in (mm)		
Performance	5.1	Travel speed, with/without load	mph (km/h)	
	5.2	Lifting speed, with/without load	fpm (m/s)	
	5.3	Lowering speed, with/without load	fpm (m/s)	
	5.5	Drawbar pull, with/without load	lbs (N)	
	5.7	Climbing ability, with/without load	%	
	5.9	Acceleration, with/without load	sec	
	5.10	Service brake		
Engine	7.1	Engine manufacturer/model		
	7.2	Engine rating	hp (kW)	
	7.3	Rated speed	rpm ¹	
	7.4	Number of cylinders/Engine displacement	cu in (cc)	
Other	8.1	Traction control		
	8.2	Working pressure for attachments	psi (bar)	
	8.3	Oil flow attachments	gal/min (l/min)	
	8.4	Noise level at driver's ear	dB(A)	

¹ Add 1 in (25 mm) for triple mast

² Plus length of load plus clearance for 90° stack

	Linde	Linde	Linde	Linde	1.1
	H16CT	H18CT	H20CT	H20CT-600	1.2
	LP	LP	LP	LP	1.3
	Rider seated	Rider seated	Rider seated	Rider seated	1.4
	3000 (1600)	3500 (1800)	4000 (2000)	4500 (2000)	1.5
	24 (500)	24 (500)	24 (500)	24 (610)	1.6
	14.3 (365)	14.3 (370)	14.5 (374)	14.5 (374)	1.8
	59.1 (1500)	60.6 (1540)	63.0 (1600)	63.0 (1600)	1.9
	6008 (2725)	6371 (2890)	6702 (3040)	7044 (3195)	2.1
	7717/1291 (3780/545)	8583/1288 (4120/570)	9412/1290 (4440/600)	10322/1222 (4625/570)	2.2
	2767/3241 (1255/1470)	2866/3505 (1300/1590)	2976/3726 (1350/1690)	3075/3968 (1395/1800)	2.3
	C	C	C	C	3.1
	18 x 7 x 12 1/8	18 x 7 x 12 1/8	18 x 7 x 12 1/8	18 x 7 x 12 1/8	3.2
	18 x 6 x 12 1/8	18 x 6 x 12 1/8	18 x 6 x 12 1/8	18 x 6 x 12 1/8	3.3
	2 x / 2	2 x / 2	2 x / 2	2 x / 2	3.5
	36.0 (914)	36.0 (914)	36.0 (914)	36.0 (914)	3.6
	34.4 (873)	34.4 (873)	34.4 (873)	33.5 (851)	3.7
	6.0/6.0	6.0/6.0	6.0/6.0	6.0/4.0	4.1
	See mast table	See mast table	See mast table	See mast table	4.2
	See mast table	See mast table	See mast table	See mast table	4.3
	See mast table	See mast table	See mast table	See mast table	4.4
	h3 + 48"	h3 + 48"	h3 + 48"	h3 + 48"	4.5
	83.6 (2123)	83.6 (2123)	83.6 (2123)	83.9 (2130)	4.7
	42.0 (1067)	42.0 (1067)	42.0 (1067)	42.0 (1067)	4.8
	21.9 (557)	21.6 (549)	20.9 (530)	20.9 (530)	4.12
	129.0 (3112)	130.4 (3152)	133.5 (3231)	133.5 (3231)	4.19
	87.0 ¹ (2212) ¹	88.4 ¹ (2252) ¹	91.5 ¹ (2331) ¹	91.5 ¹ (2331) ¹	4.20
	43.0 ³ (1092)	43.0 ³ (1092)	43.0 (1092)	43.0 (1092)	4.21
	1.5x4x42	1.5x4x42	1.5x4x42	1.5x4x42	4.22
	2A	2A	2A	2A	4.23
	40.9 (1040)	40.9 (1040)	40.9 (1040)	40.9 (1040)	4.24
	3.7 (93)	3.6 (92)	3.7 (95)	3.9 (99)	4.31
	4.7 (119)	4.6 (118)	4.8 (121)	4.7 (120)	4.32
	93.3 ² (2370) ²	94.9 ² (2411) ²	98.2 ² (2495) ²	98.2 ² (2495) ²	4.33
	78.9 (2005)	80.4 (2041)	83.5 (2121)	83.5 (2121)	4.35
	23.6 (600)	24.2 (615)	25.1 (638)	25.1 (638)	4.36
	10 (16)	10 (16)	10 (16)	10 (16)	5.1
	118.1/124.0 (0.6/0.63)	118.1/124.0 (0.6/0.63)	106.3/112.2 (0.54/0.57)	118.1/124.0 (0.60/0.63)	5.2
	112.2/112.2 (0.57/0.57)	112.2/112.2 (0.57/0.57)	112.2/112.2 (0.57/0.57)	112.2/112.2 (0.57/0.57)	5.3
	2900/2214 (12900/9850)	2900/2293 (12900/10200)	2900/2383 (12900/10600)	2900/2405 (12900/10700)	5.5
	32 / 37	29 / 36	27 / 36	26 / 34	5.7
	4.9 / 4.3	5.0 / 4.5	5.1 / 4.6	5.2 / 4.7	5.9
	Hydrostatic	Hydrostatic	Hydrostatic	Hydrostatic	5.10
	VW / CBS	VW / CBS	VW / CBS	VW / CBS	7.1
	40.0 (30)	40.0 (30)	40.0 (30)	40.0 (30)	7.2
	2100	2100	2100	2100	7.3
	4/121 (4/1984)	4/121 (4/1984)	4/121 (4/1984)	4/121 (4/1984)	7.4
	Hydraulic/ininitely variable	Hydraulic/ininitely variable	Hydraulic/ininitely variable	Hydraulic/ininitely variable	8.1
	2466 (170)	2466 (170)	2466 (170)	2466 (170)	8.2
	10.0 (38)	10.0 (38)	10.0 (38)	10.0 (38)	8.3
	73	73	73	73	8.4

Capacity and Mast Information*

391 Series (H16CT)

1.5" x 4" x 42" Forks**
Cushion 18 X 7x12 1/8 Drive Tires**

Mast Capacity Table

Mast Capacity Table				Capacity (lb) @ 24" Load Center**		
h1	h3	h2		Std. Carriage*	Integral SS Carriage*	Hang-on SS Carriage*
83.5	124.0	00.0	Simple	3,000	3,000	2,865
91.5	138.5	00.0	Simple	3,000	3,000	2,865
83.5	123.0	60.0	Dual	3,000	3,000	2,865
91.5	139.0	68.0	Dual	3,000	3,000	2,865
83.5	182.0	60.0	Triple	3,000	2,850	2,820
85.5	188.0	62.0	Triple	2,985	2,685	2,685
91.5	206.0	68.0	Triple	2,650	2,175	2,175
97.5	215.0	70.5	Triple	2,385	1,895	1,895

391 Series (H18CT)

1.5" x 4" x 42" Forks**
Cushion 18 X 7x12 1/8 Drive Tires**

Mast Capacity Table

Mast Capacity Table				Capacity (lb) @ 24" Load Center**		
h1	h3	h2		Std. Carriage*	Integral SS Carriage*	Hang-on SS Carriage*
83.5	124.0	00.0	Simple	3,500	3,500	3,280
91.5	138.5	00.0	Simple	3,500	3,500	3,280
83.5	123.0	60.0	Dual	3,500	3,500	3,280
91.5	139.0	68.0	Dual	3,500	3,500	3,280
83.5	182.0	60.0	Triple	3,500	3,375	3,280
85.5	188.0	62.0	Triple	3,500	3,190	3,190
91.5	206.0	68.0	Triple	3,245	2,630	2,630
97.5	215.0	70.5	Triple	2,925	2,320	2,320

391 Series (H20CT)

1.5" x 4" x 42" Forks**
Cushion 18 X 7x12 1/8 Drive Tires**

Mast Capacity Table

Mast Capacity Table				Capacity (lb) @ 24" Load Center**		
h1	h3	h2		Std. Carriage*	Integral SS Carriage*	Hang-on SS Carriage*
83.5	124.0	00.0	Simple	4,000	4,000	3,670
91.5	138.5	00.0	Simple	4,000	4,000	3,670
83.5	123.0	60.0	Dual	4,000	4,000	3,670
91.5	139.0	68.0	Dual	4,000	4,000	3,670
83.5	182.0	60.0	Triple	4,000	3,775	3,670
85.5	188.0	62.0	Triple	4,000	3,570	3,570
91.5	206.0	68.0	Triple	3,635	2,955	2,955
97.5	215.0	70.5	Triple	3,275	2,590	2,590

391 Series (H20CT-600)

1.5" x 4" x 42" Forks**
Cushion 18 X 7x12 1/8 Drive Tires**

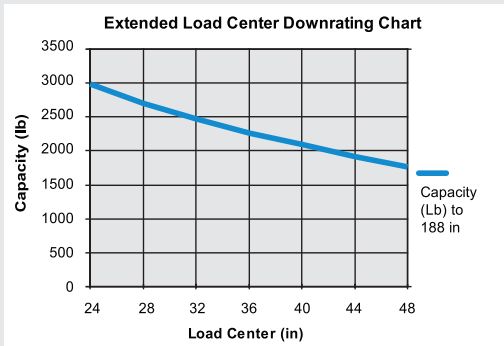
Mast Capacity Table

Mast Capacity Table				Capacity (lb) @ 24" Load Center**		
h1	h3	h2		Std. Carriage*	Integral SS Carriage*	Hang-on SS Carriage*
83.5	124.0	00.0	Simple	4,500	4,500	4,245
91.5	138.5	00.0	Simple	4,500	4,500	4,245
83.5	123.0	60.0	Dual	4,500	4,500	4,245
91.5	139.0	68.0	Dual	4,500	4,500	4,245
83.5	182.0	60.0 ¹	Triple	4,500	4,500	4,245
83.5	182.0	60.0	Triple	4,000	3,775	3,650
85.5	188.0	62.0 ²	Triple	4,500	4,500	4,245
85.5	188.0	62.0	Triple	4,000	3,575	3,570

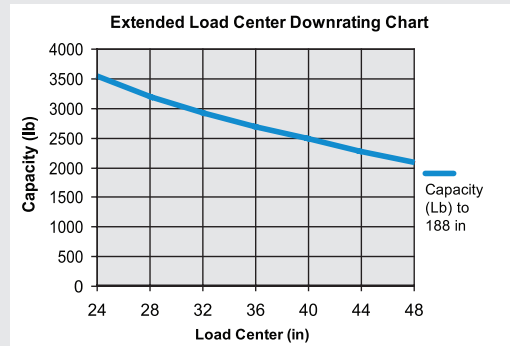
Downrating Charts*

Reference cushion tires with standard carriage and forks only.

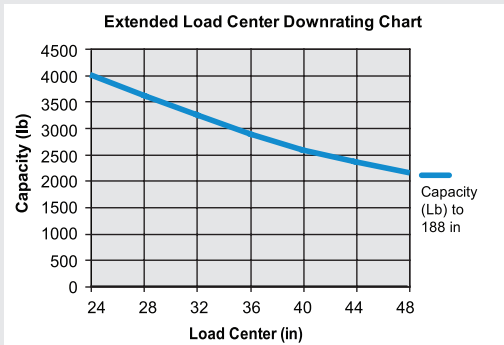
H16CT (188 Triple Mast)



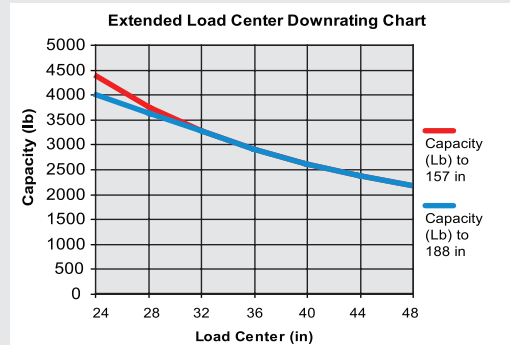
H18CT (188 Triple Mast)



H20CT (188 Triple Mast)



H20CT-600 (188 Triple Mast)



*1 and *2 H20CT-600 Triple up to 157.5

*For quick reference only, contact factory for detailed ratings.

**Capacity ratings can be affected by changing forks, load center, and/or drive tires.

Features

Original Linde hydrostatic drive

- Responsive, smooth and precise driving
- No clutch, differential or drum brakes; hydrostatic drive assumes function of service brake
- Robust drive system, proven in severe duty environments
- Low maintenance costs and long life



Linde ProtectorFrame

- Safe and robust chassis, enclosed on all sides
- Engine hood and servicing doors open wide for convenient access to all components

Linde dual travel control

- Quick change of forward/reverse direction
- Short pedal stroke
- No leg fatigue
- Increased productivity

Linde Load Control (LLC)

- Accurate, safe load handling
- Effortless fingertip control of all hydraulic functions
- Traction and all hydraulic functions completely separate

High-economy engine technology

- Diesel and LPG engines incorporating the most advanced technology
- High torque
- Low fuel consumption
- Low exhaust gas and soot emission levels



Operator compartment

- Designed to advanced ergonomic standards
- Spacious cab with automobile equivalent legroom
- Excellent visibility of load and surroundings
- Cushioned drive and steer axles reduce road shock
- Standard sound abatement design (75/73 dBa)

Linde Truck Control (LTC)

- Reliable microprocessor controller technology
- Easily matched to individual application requirements
- Component protection resulting from redundant monitoring systems
- Automatic control of engine RPM

Linde clear-view mast

- Superb visibility
- Exceptional residual capacity
- Zero-maintenance shock mounting of mast and tilt cylinders
- Electronic limiting of tilt angle



For more information on Linde material handling equipment, please contact:

KION North America Corporation
2450 West 5th North Street, Summerville, SC 29483
Phone: (843) 875-8000 Truck Sales Fax: (843) 875-8471
E-mail: trucksales.na@kiongroup.com
www.kion-na.com

ANSI Standard truck meets all applicable mandatory requirements of ANSI/ITSDF B56.1 standards for powered industrial trucks.
NOTE: Performance data may vary due to motor and system efficiency tolerances. The performance depicted represents nominal values obtained under typical operating conditions. Metric dimensions are in millimeters unless otherwise specified. All metric dimensions are not direct equivalents due to rounding data. The descriptions and specifications included on this data sheet are in effect at the time of printing. Linde Material Handling North America Corporation reserves the right to make improvements and changes in specification or design without incurring obligation. Please check with your authorized Linde dealer for information on possible updates or revisions.

linde_spec_391 CT_1010
USA_V12.1_020212