



LPG Forklift Trucks  
Capacity 5000, 5500, 6000 and 6500 lbs.  
H25CT, H27CT, H30CT, and H32CT

1313 SERIES

Linde Material Handling

The Linde logo is displayed in white cursive script on a dark red background. The logo is positioned in the lower right corner of the red section of the page.

### Safety

This line of trucks is designed for the demanding conditions of the Class Four market. Low mounted propane tank and dashboard, combined with a clear view mast increase all-around visibility. This, together with low noise level and simple operation allow operators to stay alert and maintain unparalleled awareness of their surroundings.

### Performance

With its impressive performance the truck still maintains low fuel consumption and low exhaust emissions. Advanced engine and drive technology combined with the original Linde Load Control system enable the operator to use the truck's potential to maximize productivity. Ergonomic layout of all hydraulic functions allow for a high level of precision fingertip control and working performance.

### Comfort

Climb on board relaxed — finish the shift relaxed. Designed to the most advanced ergonomic standards. Spacious cab interior with accessibility from both sides of the truck, adjustable armrest, suspension seat, and functional positioning of easy-actuation controls make for a low stress working environment.

### Reliability

The durability of this machine has been tested and proven in a variety of severe applications. Its massive components are designed to operate in adverse conditions and can handle intense utilization with minimum care.

### Productivity

Effective and cost efficient: Linde hydrostatic drive eliminates torque converter transmission, clutch, and drum brakes. As a result, servicing costs are low, truck uptime is high and productivity is enhanced.

# Standard and optional equipment

## Standard equipment:

Linde twin drive pedals travel control

Cushion tires

Linde Load Control integrated armrest (LLC)

Fully adjustable suspension seat with fixed armrest

Low fuel level warning light

Adjustable steering column

3-function electric-hydraulic valve

Key switch

Comprehensive digital display (anti-glare surface)

High combustion - air intake

Load back rest (LBR)

Plenty of storage space

Twin front work lamps

3-way regulated catalytic muffler

UL LP rating

## Options:

Single pedal travel control

Non-marking tires

Simple, dual, triple and quad masts

Bottler's tilt 10f / 5b

Variety of carriages

Hang-on sideshifter

Integrated sideshifter

Wide variety of forks

Low profile overhead guard

Air pre-cleaner

Fully adjustable suspension seat with tiltable armrest

4 function electric-hydraulic valve

Rear spot lights

Stop lights and tail lights

Audible back-up alarm

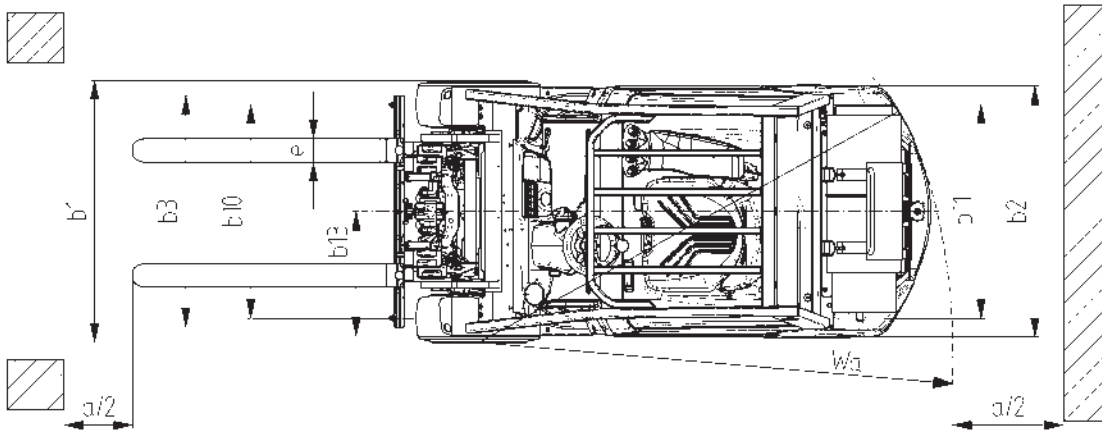
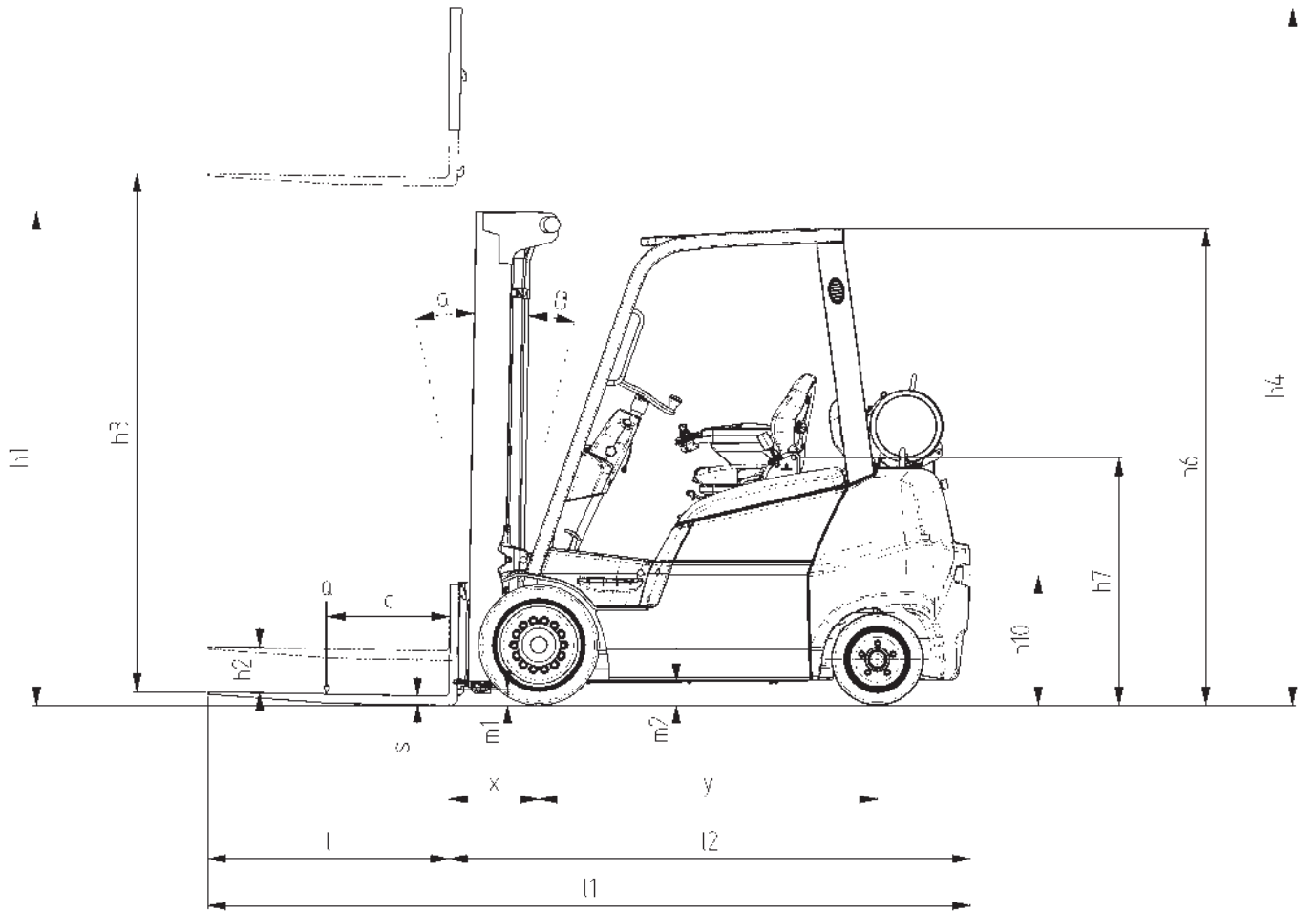
Amber warning light

Swing down gas bottle including fuel level display

Tilt memory function

UL LPS rating

Other options available on request



# Technical data

October 2009

|                 |            |  |   |                       |                 |
|-----------------|------------|--|---|-----------------------|-----------------|
| Characteristics | 1.1        | Manufacturer                             |   | Linde                 |                 |
|                 | 1.2        | Model designation                        |   | H25 CT                |                 |
|                 | 1.3        | Power type                               |   | LP gas                |                 |
|                 | 1.4        | Operator type                            |   | Rider seated          |                 |
|                 | 1.5        | Capacity - rated load                    | Q lbs (kg)                                    | 5000                  | 2300            |
|                 | 1.6        | Load center                              | c in (mm)                                     | 24                    | 610             |
|                 | 1.8        | Center of wheel to face of forks         | x in (mm)                                     | 15.7                  | 400             |
|                 | 1.9        | Wheelbase                                | y in (mm)                                     | 59.1                  | 1500            |
|                 | Weight     | 2.1                                      | Total approximate weight                      | lb (kg)               | 8953            |
| 2.2             |            | Axle loading - rated load; front / rear  | lb (kg)                                       | 11824 / 2121          | 5368 / 963      |
| 2.3             |            | Axle loading - no load; front / rear     | lb (kg)                                       | 3461 / 5492           | 1570 / 2491     |
| Wheels & Tires  | 3.1        | Tire type                                |   | Cushion               |                 |
|                 | 3.2        | Tire size; front                         | in  | 21 x 7 x 15           |                 |
|                 | 3.3        | Tire size; rear                          | in  | 16 x 6 x 10.5         |                 |
|                 | 3.5        | Number of tires; front/rear (x = driven) |   | 2 x / 2               |                 |
|                 | 3.6        | Tread, center of tires; front            | b10 in (mm)                                   | 35.0                  | 889             |
|                 | 3.7        | Tread, center of tires; rear             | b11 in (mm)                                   | 35.7                  | 908             |
|                 | Dimensions | 4.1                                      | Mast/fork carriage tilt angle; forward / back | degrees               | 6.0 / 5.0       |
| 4.2             |            | Height of Mast; lowered                  | h1 in (mm)                                    | See mast table        |                 |
| 4.3             |            | Limited free-lift                        | h2 in (mm)                                    | See mast table        |                 |
| 4.4             |            | Maximum fork height - lift; 2-stage      | h3 in (mm)                                    | See mast table        |                 |
| 4.5             |            | Height of standard Mast extended         | h4 in (mm)                                    | h3 + 48" <sup>2</sup> |                 |
| 4.7             |            | Height of overhead guard / cab           | h6 in (mm)                                    | 84.1                  | 2137            |
| 4.8             |            | Height of seat                           | h7 in (mm)                                    | 42.0                  | 1067            |
| 4.12            |            | Height of tow coupling                   | h10 in (mm)                                   | 23.6                  | 600             |
| 4.19            |            | Overall length with 42" forks            | l1 in (mm)                                    | 133.7                 | 3379            |
| 4.20            |            | Length to fork face                      | l2 in (mm)                                    | 91.0                  | 2312            |
| 4.21            |            | Overall width                            | b1 / b2 in (mm)                               | 42.0                  | 1068            |
| 4.22            |            | Fork dimensions                          | s x e x l in                                  | 1.5 x 4 x 42          |                 |
| 4.23            |            | Fork carriage: class                     |   | Class 2               |                 |
| 4.24            |            | Width of fork carriage                   | b3 in (mm)                                    | 38.6                  | 980             |
| 4.31            |            | Ground clearance under mast, no load     | m1 in (mm)                                    | 3.8 <sup>3</sup>      | 96 <sup>3</sup> |
| 4.32            |            | Ground clearance; center of wheelbase    | m2 in (mm)                                    | 4.5                   | 115             |
| 4.34            |            | Aisle width with 48" load                | Ast in (mm)                                   | 150 <sup>1a</sup>     | 3820            |
| ---             |            | Aisle width with varying loads           | Ast in (mm)                                   | 94 <sup>1b</sup>      | 2400            |
| 4.35            |            | Turning radius                           | Wa in (mm)                                    | 78.7                  | 2000            |
| 4.36            |            | Minimum pivot point distance             | b13 in (mm)                                   | 19.1                  | 486             |
| Performance     | 5.1        | Travel speed; rated load / no load       | mph (km/h)                                    | 11.2 / 11.2           | 18.0 / 18.0     |
|                 | 5.2        | Lift speed; rated load / no load         | fpm (m/s)                                     | 110.4 / 110.1         | 0.56 / 0.58     |
|                 | 5.3        | Lowering speed; rated load / no load     | fpm (m/s)                                     | 98.5 / 96.6           | 0.50 / 0.44     |
|                 | 5.5        | Drawbar pull; rated load / no load       | N   | 4473 / 2765           | 19900 / 12300   |
|                 | 5.7        | Gradeability; rated load / no load       | %   | 35 / 18               | 35 / 18         |
|                 | 5.9        | Acceleration time; with / without load   | s   | 5.9 / 5               |                 |
|                 | 5.10       | Service brake                            |   | Hydrostatic           |                 |
| Engine          | 7.1        | Engine, make / model                     |   | VW / BEF              | VW / BEF        |
|                 | 7.2        | Output per ISO 1585                      | hp (kW)                                       | 48.5                  | 36              |
|                 | 7.3        | Rated speed                              | rpm   | 2500                  | 2500            |
|                 | 7.4        | Number of cylinders / displacement       | in <sup>3</sup> (ccm)                         | 4 / 121               | 4 / 1984        |
| Other           | 8.1        | Transmission type                        |   | Hydrostatic           | Hydrostatic     |
|                 | 8.2        | Relief pressure for attachments          | psi (bar)                                     | 2610                  | 180             |
|                 | 8.3        | Oil flow for attachments                 | gal/min (l/min)                               | 14.5                  | 55              |
|                 | 8.4        | Noise level; drivers ear                 | dB (A)  | 74                    | 74              |

<sup>1a</sup> Including 48" load and 8" of operational space

<sup>1b</sup> Add load length and operational space

<sup>2</sup> Includes LBR

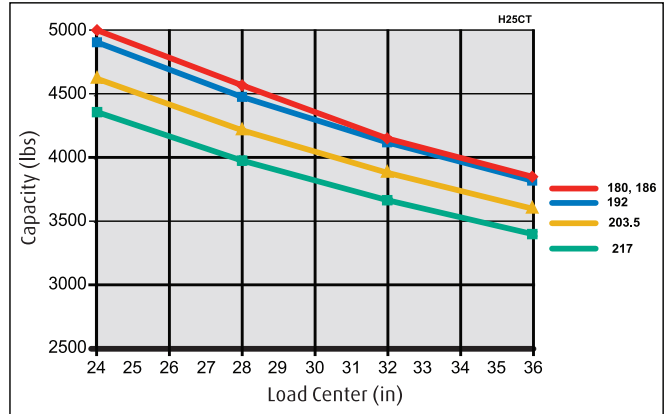
<sup>3</sup> Ground clearance under quad mast without load - 2.8"

|  |                       |                 |                       |                 |                       |                 |      |
|--|-----------------------|-----------------|-----------------------|-----------------|-----------------------|-----------------|------|
|  | Linde                 |                 | Linde                 |                 | Linde                 |                 | 1.1  |
|  | H27 CT                |                 | H30 CT                |                 | H32 CT                |                 | 1.2  |
|  | LP gas                |                 | LP gas                |                 | LP gas                |                 | 1.3  |
|  | Rider seated          |                 | Rider seated          |                 | Rider seated          |                 | 1.4  |
|  | 5500                  | 2500            | 6000                  | 2700            | 6500                  | 3000            | 1.5  |
|  | 24                    | 610             | 24                    | 610             | 24                    | 610             | 1.6  |
|  | 16.4                  | 416             | 16.7                  | 424             | 16.7                  | 424             | 1.8  |
|  | 59.1                  | 1500            | 59.1                  | 1500            | 59.1                  | 1500            | 1.9  |
|  | 9700                  | 4400            | 10141                 | 4600            | 10471                 | 4750            | 2.1  |
|  | 13011 / 2181          | 5907 / 990      | 13833 / 2300          | 6280 / 1044     | 14618 / 2357          | 6631 / 1070     | 2.2  |
|  | 3863 / 5828           | 1754 / 2646     | 3756 / 6377           | 1705 / 2895     | 3637 / 6834           | 1650 / 3100     | 2.3  |
|  | Cushion               |                 | Cushion               |                 | Cushion               |                 | 3.1  |
|  | 21 x 8 x 15           |                 | 21 x 8 x 15           |                 | 21 x 8 x 15           |                 | 3.2  |
|  | 16 x 6 x 10.5         |                 | 16 x 6 x 10.5         |                 | 16 x 6 x 10.5         |                 | 3.3  |
|  | 2 x / 2               |                 | 2 x / 2               |                 | 2 x / 2               |                 | 3.5  |
|  | 35.7                  | 907             | 35.7                  | 907             | 35.7                  | 907             | 3.6  |
|  | 35.7                  | 908             | 35.7                  | 908             | 35.7                  | 908             | 3.7  |
|  | 6.0 / 5.0             |                 | 6.0 / 5.0             |                 | 6.0 / 5.0             |                 | 4.1  |
|  | See mast table        |                 | See mast table        |                 | See mast table        |                 | 4.2  |
|  | See mast table        |                 | See mast table        |                 | See mast table        |                 | 4.3  |
|  | See mast table        |                 | See mast table        |                 | See mast table        |                 | 4.4  |
|  | h3 + 48" <sup>2</sup> |                 | h3 + 48" <sup>2</sup> |                 | h3 + 48" <sup>2</sup> |                 | 4.5  |
|  | 84.1                  | 2137            | 84.1                  | 2137            | 84.1                  | 2137            | 4.7  |
|  | 42.0                  | 1067            | 42.0                  | 1067            | 42.0                  | 1067            | 4.8  |
|  | 23.6                  | 600             | 23.6                  | 600             | 23.6                  | 600             | 4.12 |
|  | 135.0                 | 3430            | 136.6                 | 3470            | 137.6                 | 3496            | 4.19 |
|  | 93                    | 2363            | 95                    | 2403            | 96                    | 2429            | 4.20 |
|  | 43.7                  | 1110            | 43.7                  | 1110            | 43.7                  | 1110            | 4.21 |
|  | 1.5 x 4 x 42          |                 | 1.75 x 5 x 42         |                 | 1.75 x 5 x 42         |                 | 4.22 |
|  | Class 2               |                 | Class 3               |                 | Class 3               |                 | 4.23 |
|  | 38.6                  | 980             | 38.6                  | 980             | 38.2                  | 980             | 4.24 |
|  | 3.8 <sup>3</sup>      | 96 <sup>3</sup> | 3.8 <sup>3</sup>      | 96 <sup>3</sup> | 3.8 <sup>3</sup>      | 96 <sup>3</sup> | 4.31 |
|  | 4.5                   | 115             | 4.5                   | 115             | 4.5                   | 115             | 4.32 |
|  | 152 <sup>1a</sup>     | 3860            | 154 <sup>1a</sup>     | 3900            | 154 <sup>1a</sup>     | 3915            | 4.34 |
|  | 96 <sup>1b</sup>      | 2440            | 98 <sup>1b</sup>      | 2480            | 98 <sup>1b</sup>      | 2495            | ---  |
|  | 79.5                  | 2020            | 80.8                  | 2052            | 81.7                  | 2075            | 4.35 |
|  | 19.1                  | 486             | 19.1                  | 486             | 19.1                  | 486             | 4.36 |
|  | 11.2 / 11.2           | 18.0 / 18.0     | 11.2 / 11.2           | 18.0 / 18.0     | 11.2 / 11.2           | 18.0 / 18.0     | 5.1  |
|  | 90.5 / 94.5           | 0.46 / 0.48     | 90.5 / 94.5           | 0.46 / 0.48     | 90.5 / 94.5           | 0.46 / 0.48     | 5.2  |
|  | 108.3 / 98.4          | 0.55 / 0.50     | 108.3 / 98.4          | 0.55 / 0.50     | 108.3 / 98.4          | 0.55 / 0.50     | 5.3  |
|  | 4473 / 3102           | 19900 / 13800   | 4496 / 3012           | 20000 / 13400   | 4496 / 2469           | 20000 / 13000   | 5.5  |
|  | 32 / 20               | 32 / 20         | 29 / 19               | 29 / 19         | 27.5 / 19             | 27.5 / 19       | 5.7  |
|  | 6.1 / 5.2             |                 | 6.3 / 5.4             |                 | 6.4 / 5.5             |                 | 5.9  |
|  | Hydrostatic           |                 | Hydrostatic           |                 | Hydrostatic           |                 | 5.10 |
|  | VW / BEF              | VW / BEF        | VW / BEF              | VW / BEF        | VW / BEF              | VW / BEF        | 7.1  |
|  | 48.5                  | 36              | 48.5                  | 36              | 48.5                  | 36              | 7.2  |
|  | 2500                  | 2500            | 2500                  | 2500            | 2500                  | 2500            | 7.3  |
|  | 4 / 121               | 4 / 1984        | 4 / 121               | 4 / 1984        | 4 / 121               | 4 / 1984        | 7.4  |
|  | Hydrostatic           | Hydrostatic     | Hydrostatic           | Hydrostatic     | Hydrostatic           | Hydrostatic     | 8.1  |
|  | 2610                  | 180             | 2610                  | 180             | 2610                  | 180             | 8.2  |
|  | 14.5                  | 55              | 14.5                  | 55              | 14.5                  | 55              | 8.3  |
|  | 74                    | 74              | 74                    | 74              | 74                    | 74              | 8.4  |

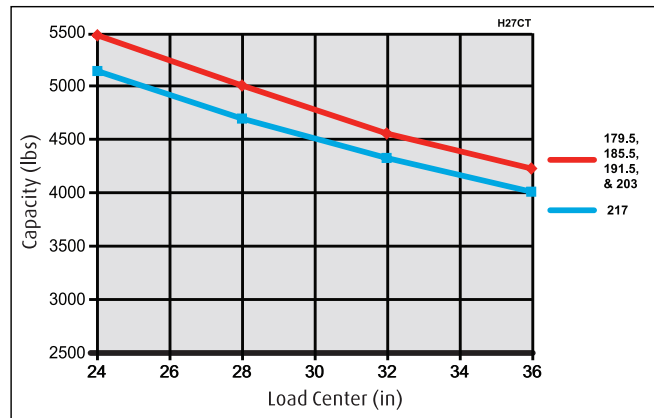
# Downrating charts\*

Reference cushion tires with standard carriage and forks only.

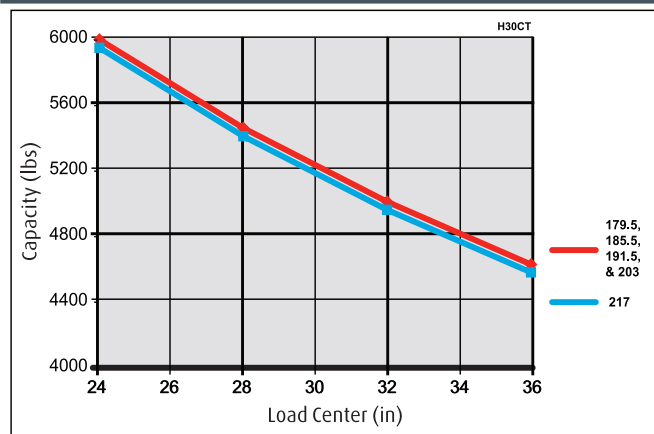
## Model H25CT



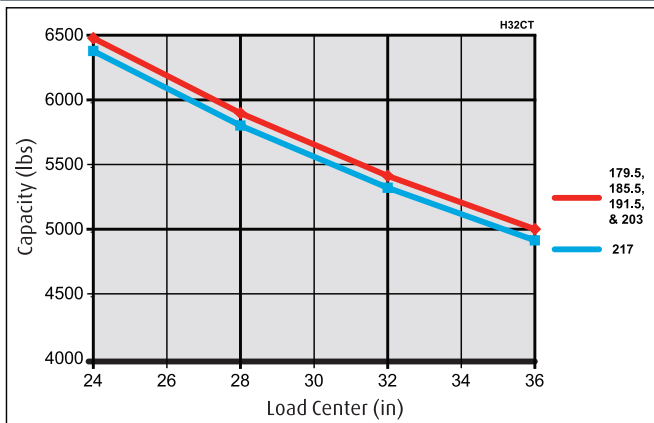
## Model H27CT



## Model H30CT



## Model H32CT



# Capacity\*

## Model H25CT

1.5" x 4" x 42" Forks\*\*

Cushion 21 x 7 x 15 Drive Tires\*\*

| Mast Table (in) |             |           |        | Capacity @ 24" Load Center** |                    |                      |
|-----------------|-------------|-----------|--------|------------------------------|--------------------|----------------------|
| Closed Height   | Lift Height | Free Lift |        | Standard Carriage*           | Integral Carriage* | Hang-on SS Carriage* |
| h1              | h3          | h2        |        | Lbs.                         | Lbs.               | Lbs.                 |
| 84.0            | 124.5       | 0.0       | Simple | 5000                         | 5000               | 4755                 |
| 92              | 140         | 0.0       | Simple | 5000                         | 5000               | 4755                 |
| 84              | 125         | 60.0      | Dual   | 5000                         | 5000               | 4755                 |
| 92              | 141         | 67.5      | Dual   | 5000                         | 5000               | 4755                 |
| 82              | 180         | 58        | Triple | 5000                         | 5000               | 4755                 |
| 84              | 186         | 60        | Triple | 5000                         | 5000               | 4755                 |
| 86              | 192         | 62        | Triple | 4900                         | 4900               | 4655                 |
| 90              | 203.5       | 65.5      | Triple | 4600                         | 4600               | 4355                 |
| 96              | 217.5       | 71.5      | Triple | 4325                         | 4325               | 4080                 |

## Model H27CT

1.5" x 4" x 42" Forks\*\*

Cushion 21 x 8 x 15 Drive Tires\*\*

| Mast Table (in) |             |           |        | Capacity @ 24" Load Center** |                    |                      |
|-----------------|-------------|-----------|--------|------------------------------|--------------------|----------------------|
| Closed Height   | Lift Height | Free Lift |        | Standard Carriage*           | Integral Carriage* | Hang-on SS Carriage* |
| h1              | h3          | h2        |        | Lbs.                         | Lbs.               | Lbs.                 |
| 83.5            | 120.5       | 0.0       | Simple | 5500                         | 5500               | 5255                 |
| 93.5            | 140         | 0.0       | Simple | 5500                         | 5500               | 5255                 |
| 83.5            | 121         | 54.5      | Dual   | 5500                         | 5500               | 5255                 |
| 91.5            | 136.5       | 62        | Dual   | 5500                         | 5500               | 5255                 |
| 83.5            | 179.5       | 54.5      | Triple | 5500                         | 5500               | 5255                 |
| 85.5            | 185.5       | 56.5      | Triple | 5500                         | 5500               | 5255                 |
| 87.5            | 191.5       | 58.5      | Triple | 5500                         | 5500               | 5255                 |
| 91.5            | 203         | 62        | Triple | 5500                         | 5500               | 5255                 |
| 97.5            | 217         | 68        | Triple | 5150                         | 5150               | 4905                 |

## Model H30CT

1.75" x 5" x 42" Forks\*\*

Cushion 21 x 8 x 15 Drive Tires\*\*

| Mast Table (in) |             |           |        | Capacity @ 24" Load Center** |                    |                      |
|-----------------|-------------|-----------|--------|------------------------------|--------------------|----------------------|
| Closed Height   | Lift Height | Free Lift |        | Standard Carriage*           | Integral Carriage* | Hang-on SS Carriage* |
| h1              | h3          | h2        |        | Lbs.                         | Lbs.               | Lbs.                 |
| 83.5            | 120.5       | 0.0       | Simple | 6000                         | 6000               | 5700                 |
| 93.5            | 140         | 0.0       | Simple | 6000                         | 6000               | 5700                 |
| 83.5            | 121         | 54.5      | Dual   | 6000                         | 6000               | 5700                 |
| 91.5            | 136.5       | 62        | Dual   | 6000                         | 6000               | 5700                 |
| 83.5            | 179.5       | 54.5      | Triple | 6000                         | 6000               | 5700                 |
| 85.5            | 185.5       | 56.5      | Triple | 6000                         | 6000               | 5700                 |
| 87.5            | 191.5       | 58.5      | Triple | 6000                         | 6000               | 5700                 |
| 91.5            | 203         | 62        | Triple | 6000                         | 6000               | 5700                 |
| 97.5            | 217         | 68        | Triple | 5950                         | 5950               | 5650                 |

## Model H32CT

1.75" x 5" x 42" Forks\*\*

Cushion 21 x 8 x 15 Drive Tires\*\*

| Mast Table (in) |             |           |        | Capacity @ 24" Load Center** |                    |                      |
|-----------------|-------------|-----------|--------|------------------------------|--------------------|----------------------|
| Closed Height   | Lift Height | Free Lift |        | Standard Carriage*           | Integral Carriage* | Hang-on SS Carriage* |
| h1              | h3          | h2        |        | Lbs.                         | Lbs.               | Lbs.                 |
| 83.5            | 120.5       | 0.0       | Simple | 6500                         | 6500               | 6200                 |
| 93.5            | 140         | 0.0       | Simple | 6500                         | 6500               | 6200                 |
| 83.5            | 121         | 54.5      | Dual   | 6500                         | 6500               | 6200                 |
| 91.5            | 136.5       | 62        | Dual   | 6500                         | 6500               | 6200                 |
| 83.5            | 179.5       | 54.5      | Triple | 6500                         | 6500               | 6200                 |
| 85.5            | 185.5       | 56.5      | Triple | 6500                         | 6500               | 6200                 |
| 87.5            | 191.5       | 58.5      | Triple | 6500                         | 6500               | 6200                 |
| 91.5            | 203         | 62        | Triple | 6500                         | 6500               | 6200                 |
| 97.5            | 217         | 68        | Triple | 6400                         | 6400               | 6100                 |

\* For quick reference only. Contact factory for detailed ratings.

\*\* Capacity ratings can be effected by changing forks, load center, and/or drive tires.

# Features

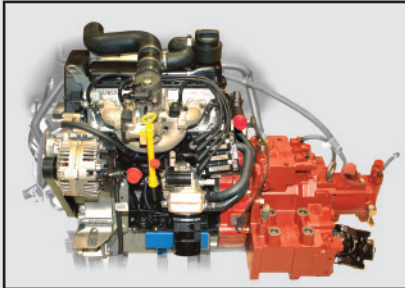
## Original Linde Hydrostatic Drive

- Responsive, smooth and precise driving
- No clutch or friction service brakes; hydrostatic drive assumes function of service brake
- Robust drive system, proven in severe duty environments
- Low maintenance costs and long life



## High-economy Engine Technology

- LPG engines incorporating the most advanced technology
- High torque
- Low fuel consumption
- Low exhaust gas emission levels



## Linde Clear-view Mast

- Superb visibility
- Exceptional residual capacity
- Electronic limiting of tilt angle



## Linde Twin Drive Pedals

- Quick change of forward/reverse direction
- Short pedal stroke
- No leg fatigue
- Increased productivity



## Linde Truck Control (LTC)

- Reliable microprocessor controller technology
- Easily matched to individual application requirements
- Automatic control of engine RPM

## Linde Load Control

- Accurate, safe load handling
- Effortless fingertip control of all hydraulic functions
- Traction and all hydraulic functions completely independent

## Linde Operator Compartment

- Designed to advanced ergonomic standards
- Spacious cab with luxury automobile equivalent legroom
- Excellent visibility of load and surroundings
- Cushioned steer axle reduces road shock
- Standard noise abatement design



For more information on Linde material handling equipment, please contact:

KION North America Corporation  
2450 West 5th North Street, Summerville, SC 29483  
Phone: (843) 875-8000 Truck Sales Fax: (843) 875-8471  
E-mail: [trucksales.na@kiongroup.com](mailto:trucksales.na@kiongroup.com)  
[www.kion-na.com](http://www.kion-na.com)

ANSI: Standard truck meets all applicable mandatory requirements of ANSI/ITSDF B56.1 standards for powered industrial trucks.  
NOTE: Performance data may vary due to motor and system efficiency tolerances. The performance depicted represents nominal values obtained under typical operating conditions. Metric dimensions are in millimeters unless otherwise specified.  
All metric dimensions are not direct equivalents due to rounding data. The descriptions and specifications included on this data sheet were in effect at the time of printing. Linde Material Handling North America Corporation reserves the right to make improvements and changes in specification or design without notice and without incurring obligation. Please check with your authorized Linde dealer for information on possible updates or revisions.